

B 18i Enhanced LF for ARES 8



B 18i is a compact, powerful LF extension for installed ARES 8i line arrays, enhancing the system's low end response and directivity. ARES 8i and B 18i unite with S / MTSUB Series subs to form a consistent, high performance, 4-way install line array system. B 18i is fully compatible with the ARES 8i rigging system and can be flown alongside, on top of or behind ARES 8i elements, or deployed in ground stack / standalone configurations.

The B 18i houses a long excursion 18" neodymium driver and combines front diffusion, bass reflex, and transmission line design for ultimate efficiency and performance.

B 18i is built with pride in Belgium and coated in tough, weather-resistant polyurea to safeguard your investment. The cabinet front is protected by a rigid metal grill, backed by acoustically transparent foam.

We recommend AUDIOFOCUS or Powersoft amplifiers for use with B 18i.



Up to 5.000



Complete solution



55Hz-110Hz

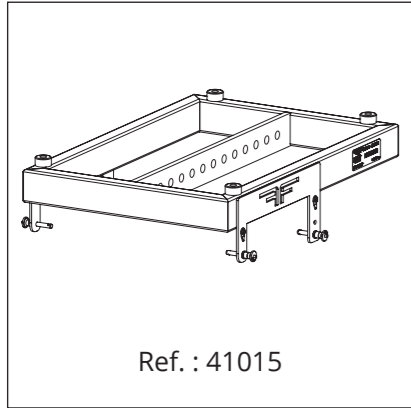
Technical specifications

Description	Install LF extension for ARES 8i
Transducers	LF: 1 x 18"
Frequency range (-6dB)	55Hz-110Hz
Peak SPL (1)	132 dB
Processing	Dedicated AUDIOFOCUS and Armonia/Powersoft presets
Rigging	0 or 5° inter-cabinet angle positions
Connectors	2 x 4-point speakON
Nominal Impedance	8ohm
Watt AES/peak	600/2400W
Dimensions (H x W x D)	510 x 650 x 705 mm • 20.07 x 25.59 x 27.75 inches
Weight	53,8kg / 118.61lbs
Finish	Highly resistant polyurea coating
Cabinet	High grade birch plywood

(1) Peak level measured at 1 m under free field conditions using pink noise with crest factor 5

Accessories

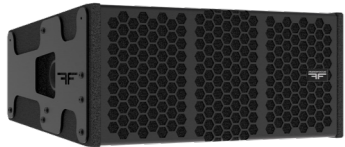
Bumper (Multi-system flying frame) for ARES 8, B18



Related Speakers

ARES 8i

Install 2-way line array loud-speaker



Ref. : 48113

Contact & Links

Need more information about our products ?

www.audiofocus.eu

info@audiofocus.eu

www.facebook.com/AudiofocusPage/

www.facebook.com/groups/AUDIOFOCUS/

Scan QR Code to view the B 18i product's web page.



Follow Us.

